

新PV-HCB40p – 规格说明书

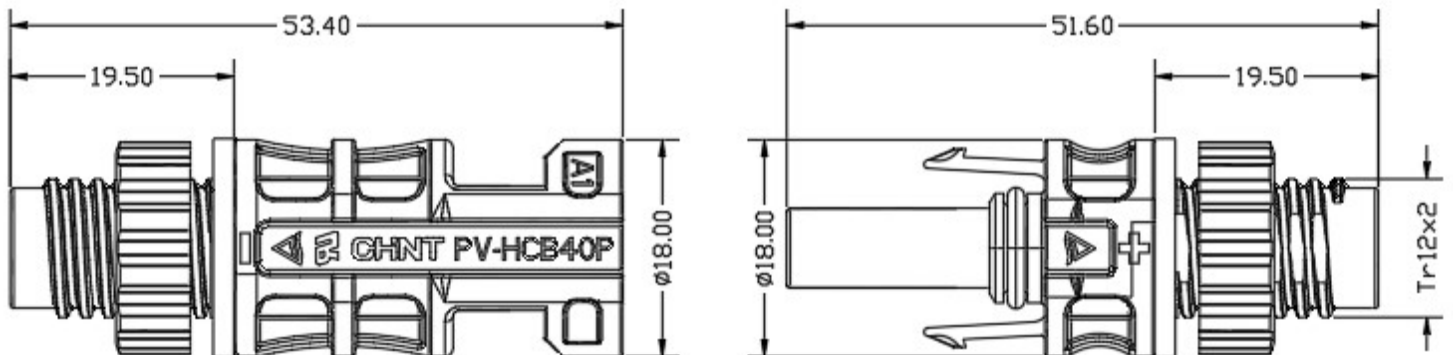
PV connector specification (PV-HCB40p)



Zhejiang Chint Xinhui Photovoltaic Co., Ltd.
Add: No.2 Xiabao Road, Leqing Bay Port District, Leqing City, Wenzhou
City, Zhejiang Province, 325609 P. R. China.



外形尺寸 Overall dimensions



技术参数 Technical parameters

产品名称/Name:	NEW PV-HCB40p
额定电压/Rated voltage:	1500V
线径规格 / Cable specifications:	2.5~6mm ²
保护等级/Protection level:	IP66/IP68
额定电流/Rated current:	40A/46A/53A
接触电阻/ Contact Resist ions:	≤0.2mΩ
温度范围 /Temperature range	-40C ~ +90%C
应用等级/Aplcation dass:	Class A
电气连接/Electricall connection:	铆接Riveting

使用方法 Method Of Application

1)接头后端沿板圆孔处塞入，同时螺母旋入接头上（如下图所示）。

Back along the plate hole into the joint, Meanwhile the nut is inserted into the cable and screwed into the connector (as shown below).

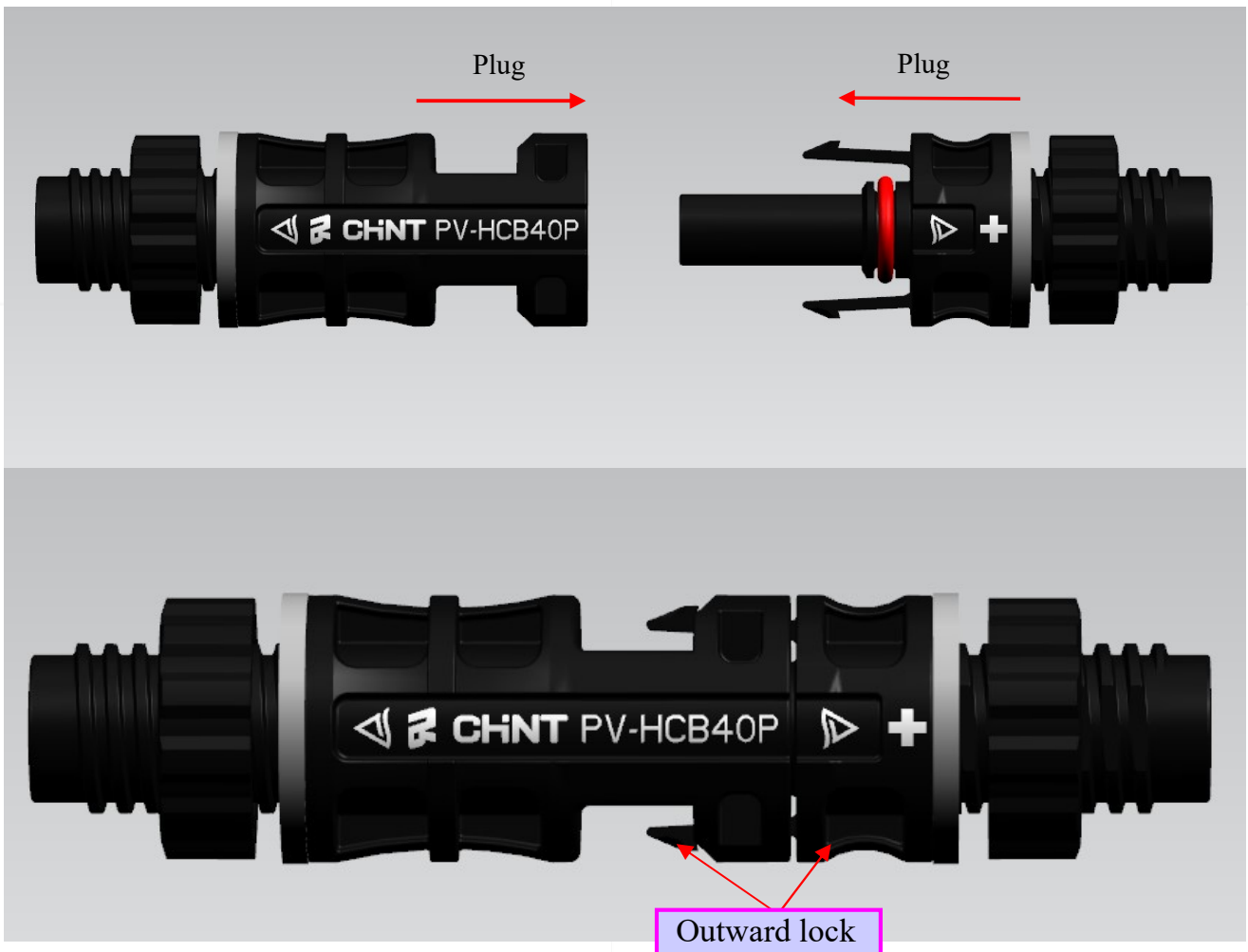


2).用开锁扳手卡紧连接器前端，18号卡口扳手旋紧螺母。（如下图所示）。
Clamp the front end of the connector with the unlocking wrench, and tighten the nut with the 18 bayonet wrench (as shown in the figure below)



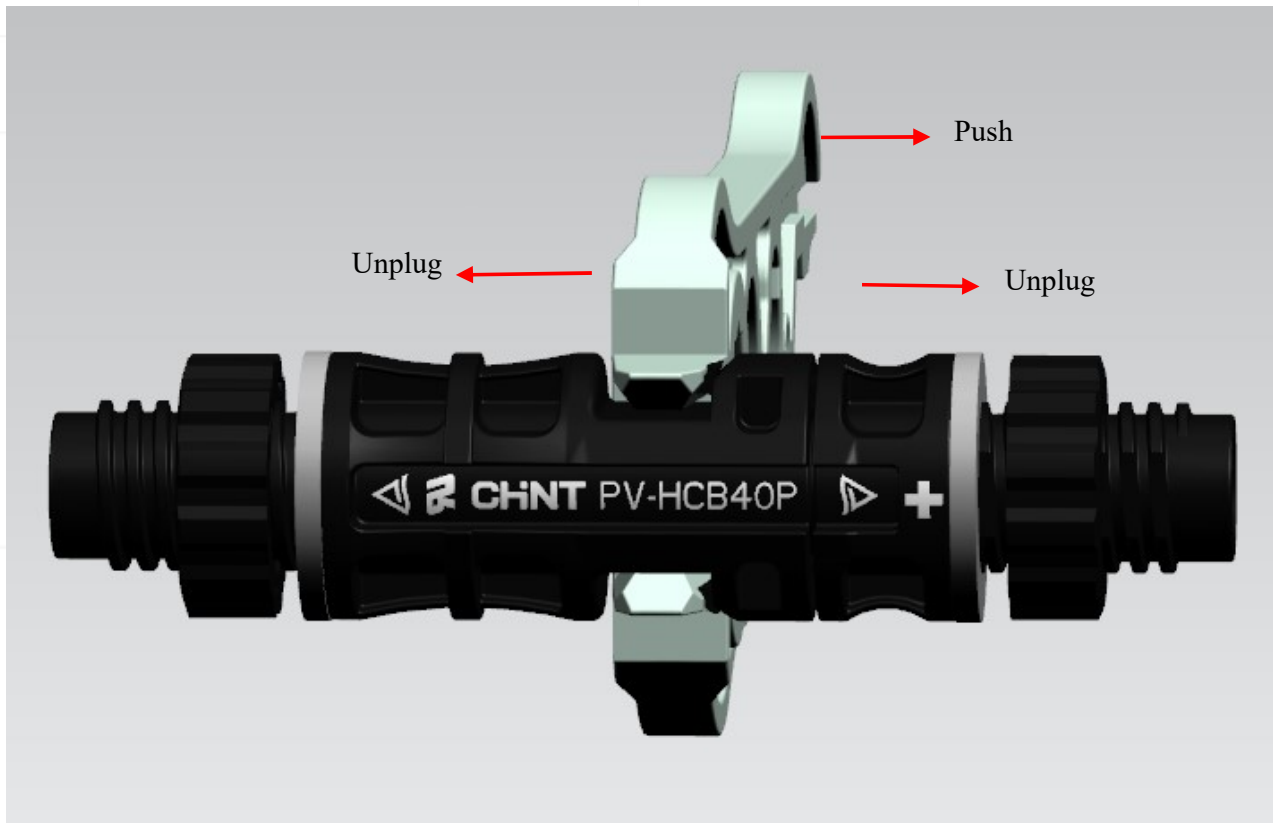
3) 把连接器正极插入连接器负极中。

The positive and negative electrodes along the connector socket is inserted into the lock in place.



4) 把专用工具/HCB40p专用工具插入连接器扣位处往后推，同时正负连接器往相反方向拉就可打开连接器。

Insert the MC special tool (PV-MS-PLS/2) into the connector button and push back, while the positive and negative connectors can be pulled in the opposite direction to open the connector.



备注：1.安装过程中线缆抗拉、抗扭力不违反操作和标准，线缆不得与连接器成90°垂直拉扯。如果客户使用我公司连接器匹配市场上劣质的连接器、型号不匹配的连接器后出现质量事故，我公司概不负责，谢谢！
2. 连接器不允许与任何油性物质接触。

Remark:1. During the installation process, the tension and torsion resistance of the cable shall not violate the operation and standards, and the cable shall not be pulled vertically at a 90 ° angle with the connector. If customers encounter quality accidents when using our company's connectors to match inferior connectors or connectors with mismatched models in the market, our company will not be responsible. Thank you!
2. The connector shall not be in contact with any oily substance.