

光伏连接器规格说明书 (PV-HCB40)

PV connector specification (PV-HCB40)

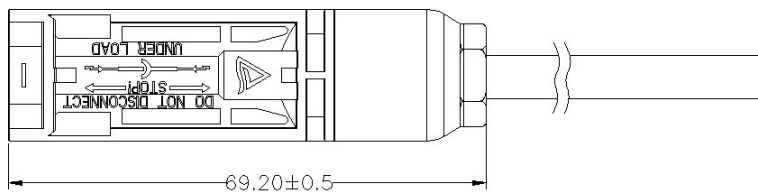
1.简介

光伏连接器是连接太阳能电池组件系统电路的一部分，起连接组件和引出电流的作用。

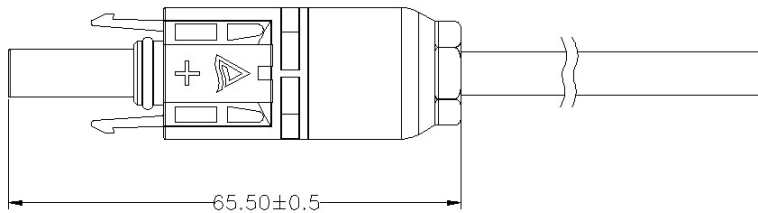
1. Introduction

The photovoltaic connector is part of the system circuit that connects the solar cell components, which plays a role in connecting the components and the extraction current.

2.外形尺寸 Outline dimensions:



NEGATIVE CONNECTOR



POSITIVE CONNECTOR

3.技术参数 Technical parameters

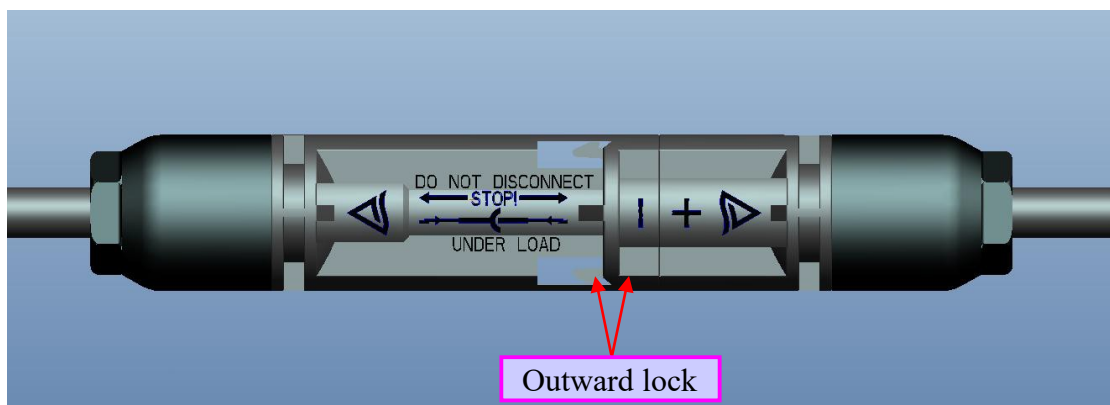
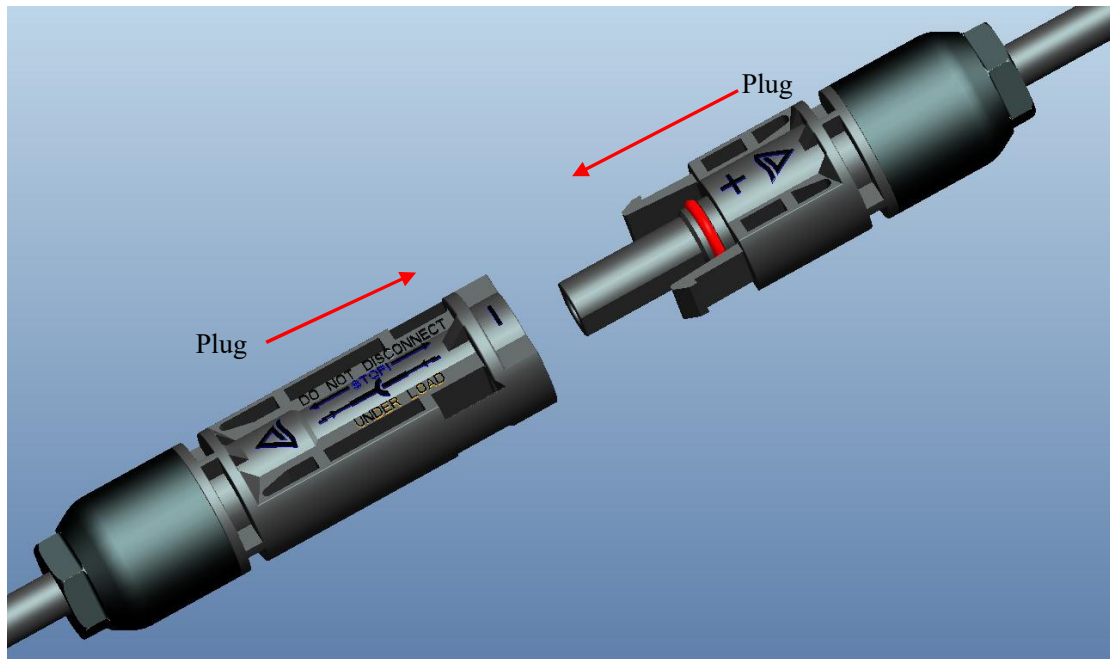
类型: Type	PV-HCB40
线缆规格 Size of Cables:	4mm ² & 6mm ² (Ø5.3-Ø7.2mm)
安全等级 Safety Class:	Class II
防护等级 Protection degree:	IP68
额定电流 Rated current :	40A
额定电压 Rated voltage :	1500V

温度范围 Temperature range :	-40℃ up to +85℃
燃烧等级 Flammability Class:	V-0/5VA
接触电阻 Contact Resistance:	<0.4mΩ
电气连接 Electrical Connections:	铆接 Rivet
标准 Standard:	IEC62852:2014

4. 使用方法 Method Of Application

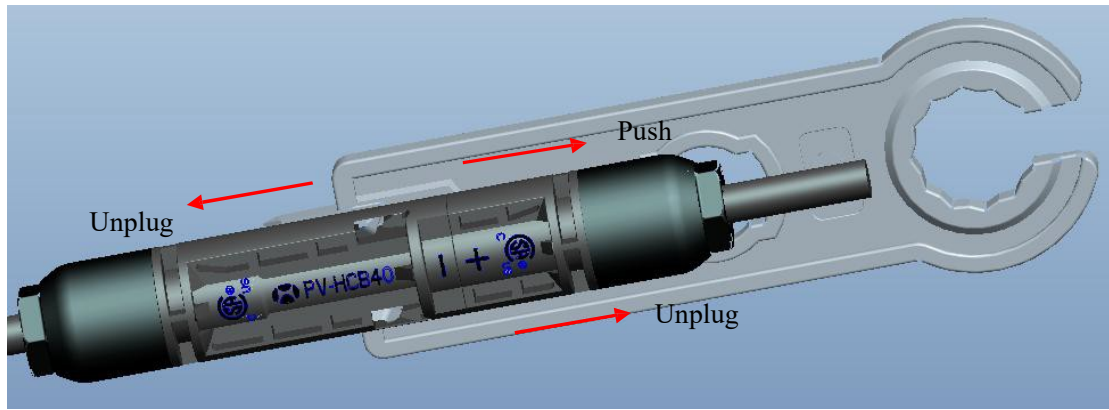
1) 把连接器正极插入连接器负极中。

The positive and negative electrodes along the connector socket is inserted into the lock in place.



2) 把专用工具插入连接器扣位处往后推，同时正负连接器往相反方向拉就可打开连接器。

Insert special tool into the connector button and push back, while the positive and negative connectors can be pulled in the opposite direction to open the connector.



备注：安装过程中线缆抗拉、抗扭力不违反操作和标准，线缆不得与连接器成 90° 垂直拉扯，线缆与连接器抗拉力>150N。如果客户使用我公司连接器匹配市场上劣质的连接器、型号不匹配的连接器后出现质量事故，我公司概不负责，谢谢！

Remark: During installation, the cable is tensile and resistant to torque and does not violate operation and standards, The cable cannot be pulled vertically at 90 degrees with the connector, Tensile resistance of cables and connectors >150N. our company will not be responsible for any quality accident if our customers use our connector to match the inferior connectors and mismatched connectors in the market. Thank you!

浙江正泰鑫辉光伏有限公司

ZHEJIANG CHINT XINHUI PV CO., LTD

地址：中国浙江省乐清市乐清湾港区下堡路2号

ADDRESS: NO. 2 Xiabao Road, Yueqing Bay District, Yueqing City, Zhejiang Province, China

手机(Mobile): 13695766021

邮编 P.C: 325600

邮箱 E-mail: zhousz@chint.com